

AIR-BLOCK[®] GT036

The Cable Grommet that seals in a “CLICK”



The GT036 Air-Block cable grommet is a smart rectangular 2 part gasket sealed grommet. The rectangular grommet offers an exciting alternative cabling option to designers and engineers. Like its circular sister products, the GT060 and GT020, the GT036 unit is designed to “snap” around cables to provide a safe cushioned air block grommet. The GT036 Air-Block cable mouth measures a generous 6” x 2.5” (150mm x 60mm) and is fitted with a die cut flame retardant anti-static gasket. The unit is easy to open, and just as easy to close. The GT036 fits into a 7.9” x 4.4” (200mm x 110mm) floor panel opening. Four built in quick action fixings lock the grommet into the panel without the need for additional drilling and screw fixing. The grommet’s unique design allows the unit to be positioned almost anywhere within, or between floor panels. As the grommet does not require an outer housing, cables are not trapped within the frame of the housing and are quickly released from the 2 part lid. The GT036 is equally suited to both computer hall and general office installations.

Made from flame retardant materials the GT036 Air-Block grommet is designed as a heavy duty unit. The units retained centre cover forms a solid safety lid when the grommet is not cabled.

Sealing around under-floor air cooled cable openings offers the following benefits:

- Reduced air-loss and increased static press for under-floor air installations.
- Improved cooling efficiencies and extended cooling equipment life.
- Reduced cooling plant running costs
- Facilitates Cold/ Hot aisle best practice
- Seals cable openings to prevent under-floor contamination

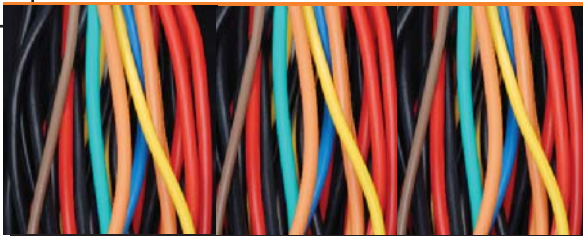
Air-Block GT036

- The split grommet design allows for easy cable capture and release
- The patented* design offers improved floor panel location options
- With no outer housing, hole cutting is less onerous
- Made from high strength flame retardant ABS the unit is inherently Anti-static
- RoHS compliant
- Additional custom gasket options available
- Available colour options - Black (with Grey insert lid) & Grey
- Brush gasket option
- Fits a 7 7/8” x 4 3/8” (200mm x 110mm) floor panel cut out.
- Overall Dimensions – 8 7/8” x 5 3/8” x 1 5/8” (225mm x 138mm x 42mm)
- Maximum cable mouth area – 6” x 2 1/4”(150mm x 60mm)
- The Air-Block grommet has been independently air seal tested.

* Patent Pending - Registered Design

Custom Plastic Distributors has supplied cable grommets and flooring accessories for over 15 years. Our products are installed in projects around the world. All units are typically available from stock for immediate delivery.

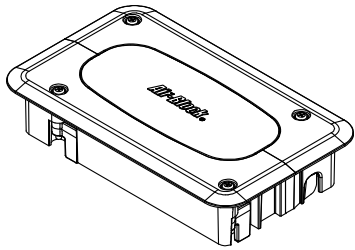
CALL 1-800-899-2084 OR SEE OUR WEB SITE WWW.accessfloorgrommets.COM, E-MAIL droy@cfrinteriors.com



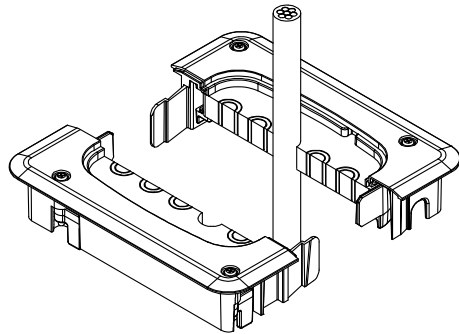
AIR-BLOCK[®] GT036

The Cable Grommet that seals in a "CLICK"

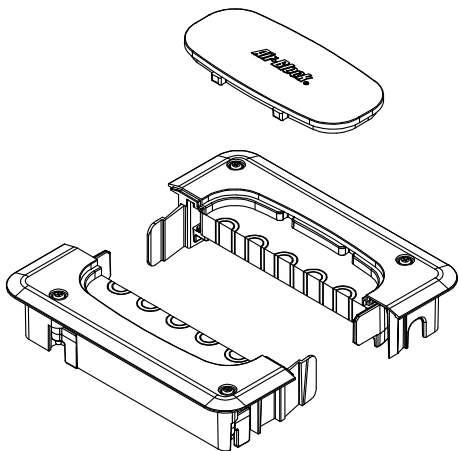
1



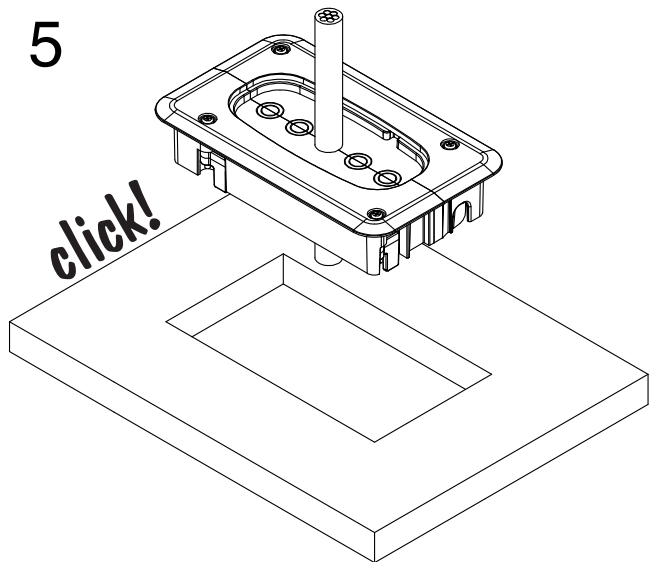
4



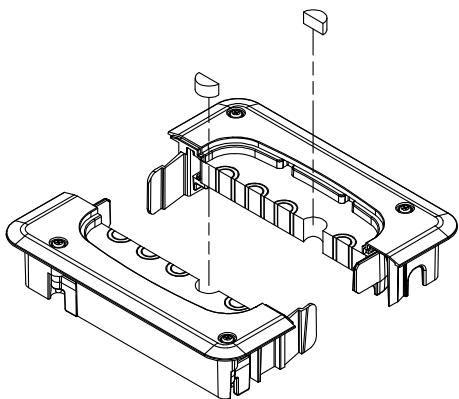
2



5



3



6

