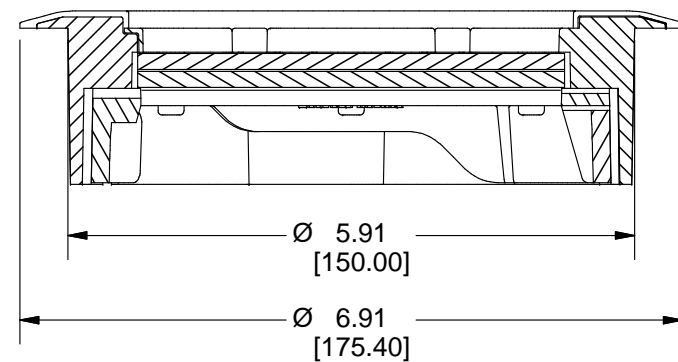
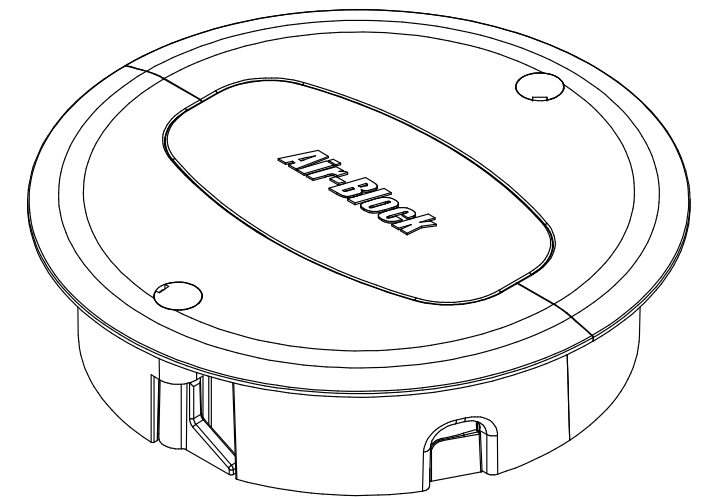


SECTION A-A  
SCALE 1 / 2



SECTION B-B  
SCALE 1 / 2



NOTES:

- 1 RECOMMENDED FLOOR TILE CUT-OUT DIMENSIONS.  
-  $\varnothing$ 6.0" [152.4 MM] DIAMETER CUTOUT

**Custom Plastic Distributors, Inc.**

**Air Block Dimensional Drawing**

This document and the information on it is the property of Custom Plastic Distributors, Inc.

Drawing No.:		Page 1 Of	1
Date:	01/14/2010	Revision	1
Part No.:	GT060APG-B		