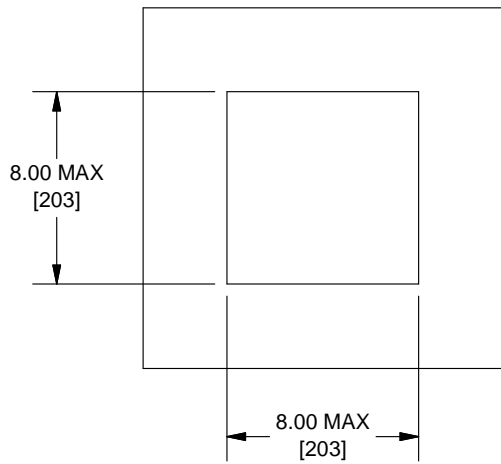


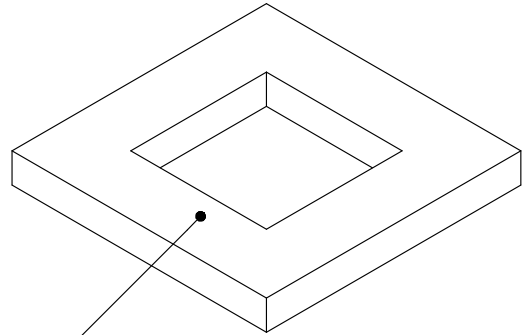
GTAG3 AIR GUARD SURFACE MOUNT

1



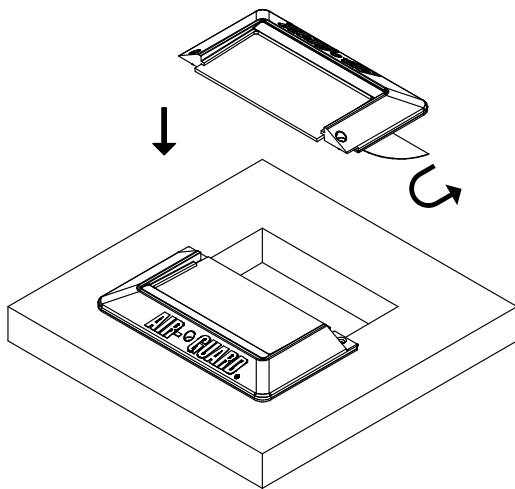
LOCATE EXISTING CUTOUT TO BE SEALED. FOR LARGER OPENINGS USE GTAG3AP ADAPTOR PLATE.

2

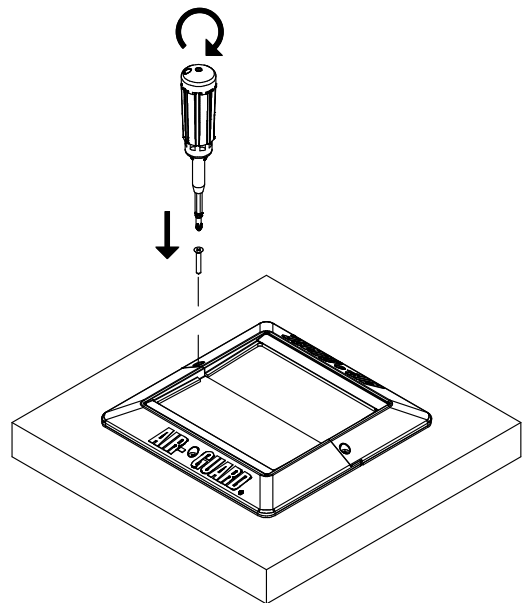


CLEAN ACCESS FLOOR PANEL SURFACE TO ELIMINATE DUST AND DEBRIS FOR PROPER ADHESION. IN SOME CASES EXISTING TRIM MAY HAVE TO BE REMOVED. ADDRESS EXPOSED CUT EDGES OF FLOOR PANEL WITH APPROPRIATE MATERIAL.

3



4



*OPTIONAL