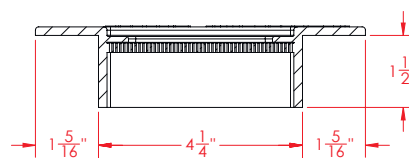
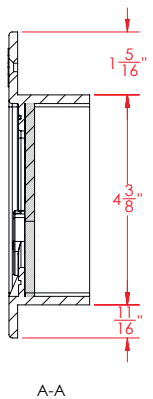
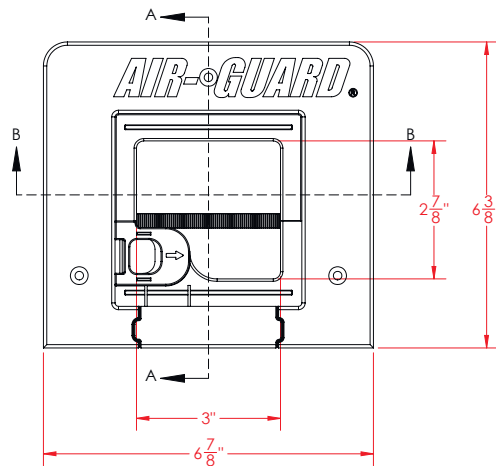


FEATURES:

- ❑ Double layered engineered sealing system - nylon no 6 brush system with EPDM gasket
- ❑ Removable edge feature eliminates trapped cables
- ❑ Airguard frame manufactured from high strength flame retardant ABS
- ❑ Can be installed at the edge or within the floor panel
- ❑ Fits a floor panel opening 4 1/2" x 4 1/2" (114 mm x 114 mm)
- ❑ Overall dimensions 6 1/2"L x 6 7/8"W (165 mm x 175 mm)
- ❑ RoHS compliant - meets NECN code for cutouts
- ❑ Maximum cable space 2 1/2" (63 mm)

DATA CENTER BEST PRACTICES - SEALING AROUND CABLE OPENING:

- ❑ Reduces bypass airflow and increases under-floor static pressure
- ❑ Increases cooling efficiencies
- ❑ ROI (reduces energy costs by lowering CRAC demand)
- ❑ Hot Aisle / Cold Aisle best practice requires sealed cutouts



B-B