

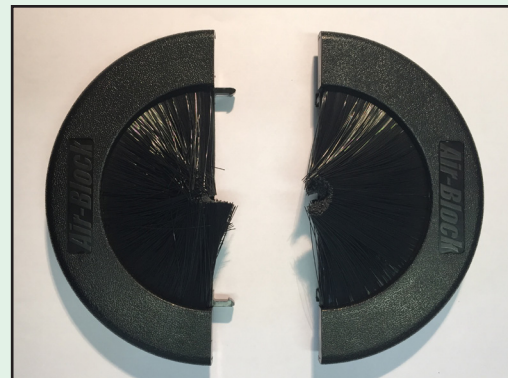


AIR BLOCK®

GTAG4R

SERVER RACK GROMMET

Environmental Control Made Simple



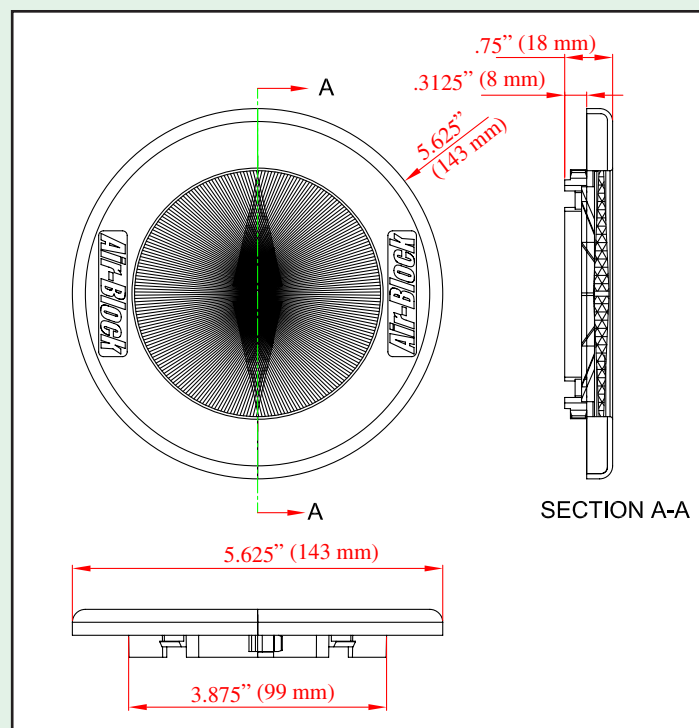
The GTAG4R is a 4" (102 mm) rack mounted grommet that can be used in new or existing holes in server racks. The unit is split so that it can be installed very easily around existing cables. The GTAG4R is designed to increase efficiency, minimizing bypass airflow. Overlapping brushes with a secondary EDPM membrane creates an extremely effective air containment system. The unit snaps into place, there is no need to use any fasteners. This makes installation easy, saving on time and labor.

Sealing around cable openings offers the following benefits:

- Reduced air loss increasing cooling capacity
- Improved cooling efficiencies and extended cooling equipment life
- Dramatically reduced plant running costs. Over 50% of conditioned air does not get to the air intake of data room equipment due to unsealed openings
- Facilitates Cold / Hot aisle best practice

The GTAG4R Air-Block®:

- Overlapping brushes along with a secondary EDPM membrane improve cable seal
- Two piece split assembly designed to retrofit around existing cables
- Manufactured from High Strength Flame retardant ABS construction with quality nylon brush
- Easy installation – “Tool-less” snap in feature (Requires 4" (102 mm) round hole)



Custom Plastic Dist Inc. HAS BEEN SUPPLYING CABLE GROMMETS AND ACCESS FLOOR ACCESSORIES FOR OVER 15 YEARS.
OUR PRODUCTS ARE INSTALLED IN MANY PRESTIGIOUS PROJECTS AROUND THE WORLD.

ITEMS ARE AVAILABLE DIRECTLY FROM STOCK.

**TOLL FREE 1-800-899-2084, CALL 1-860 779 5833, FAX 1-860 779 5837 OR
SEE OUR WEB SITE www.customplasticdistributors.com, E-MAIL jgardner@crfinteriors.com**