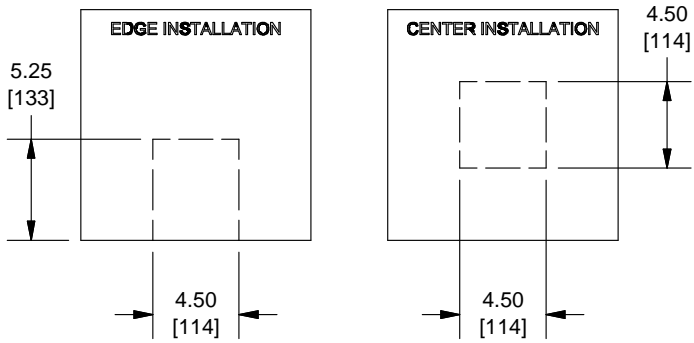


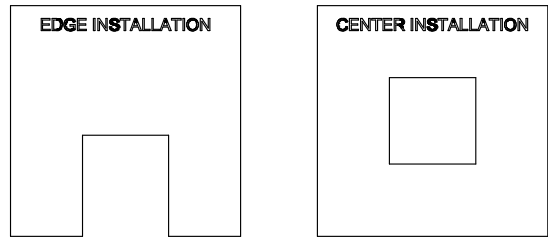
GTAG4 AIR GUARD

1



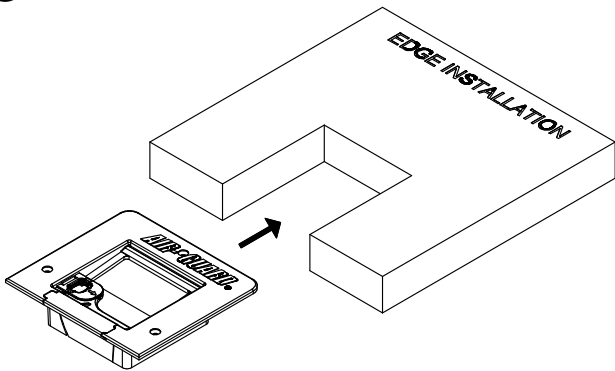
MARK CUTOUT LOCATION ON ACCESS FLOOR PANEL.
(SEE TEMPLATE ON BACK)

2

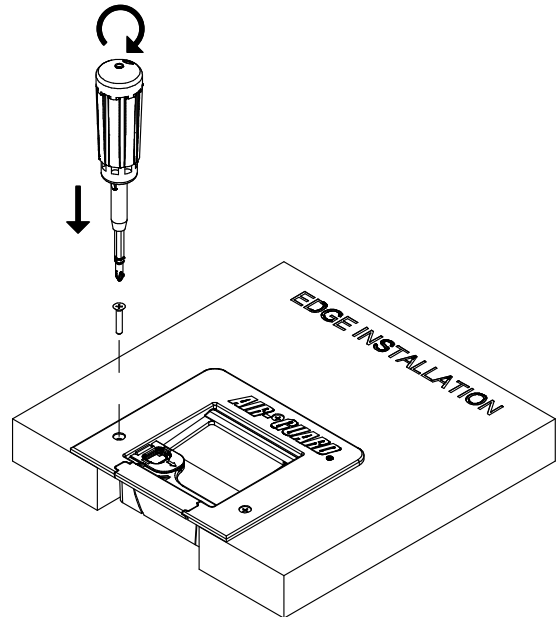


CUT ACCESS FLOOR PANEL WITH MANUFACTURERS
RECOMMENDED METHOD. BE SURE TO FOLLOW ALL
RECOMMENDED SAFETY PROCEDURES.

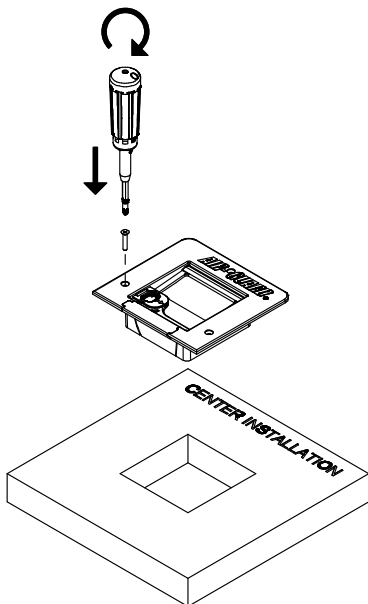
3



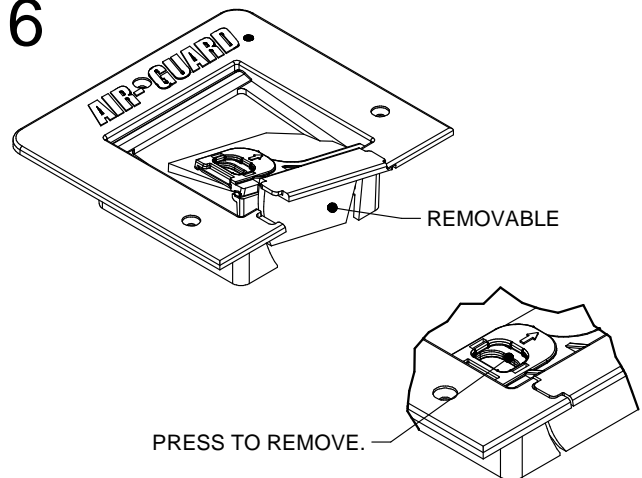
4



5



6



REMOVABLE BRUSH FEATURE ALLOWS
PANEL REMOVAL WITHOUT "TRAPPING" CABLES.

GTAG4 AIR GUARD

