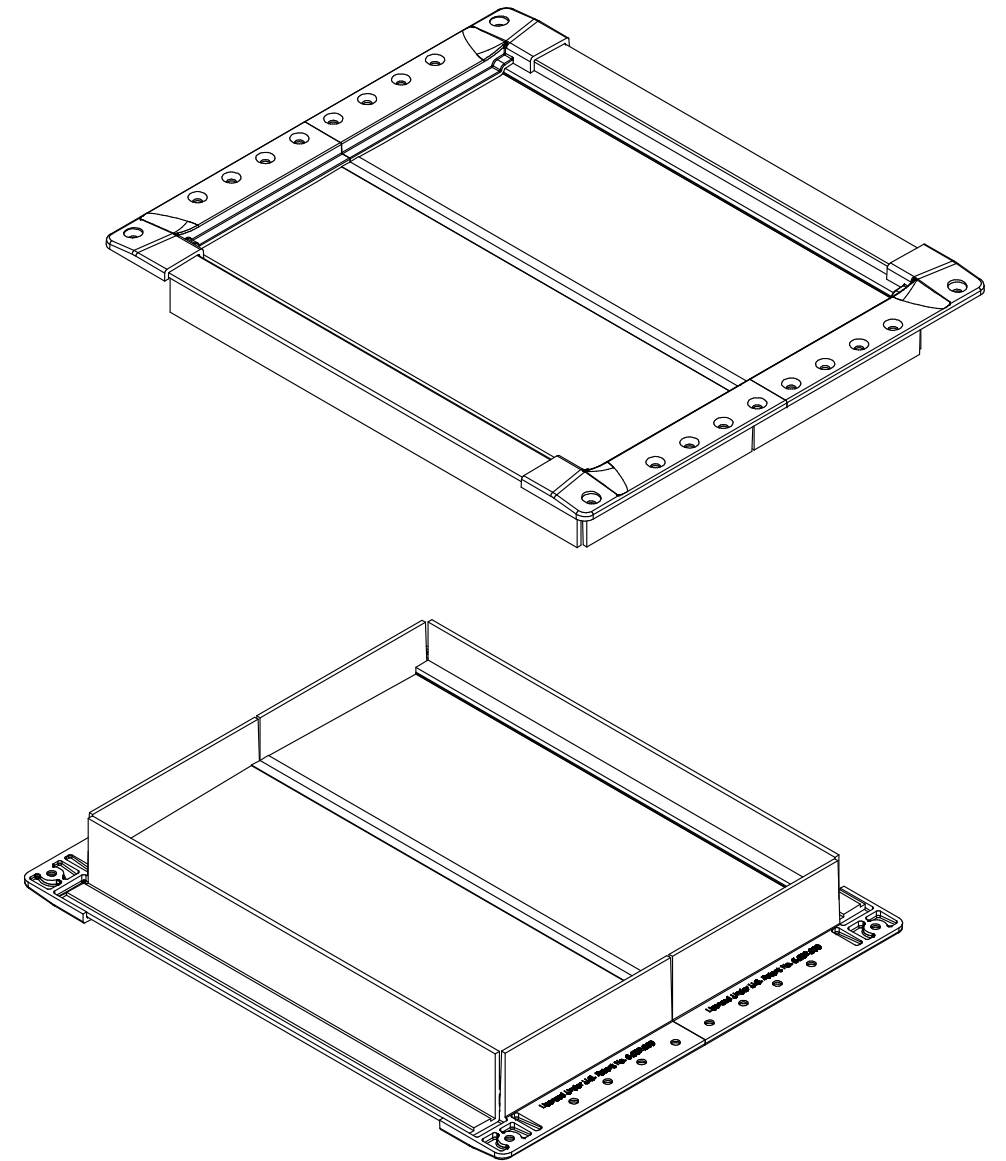


SECTION A-A
SCALE 1 / 4



Custom Plastic Distributors, Inc.

Air Guard 12" Field Kit Dimensional Drawing

This document and the information on it is the property of Custom Plastic Distributors, Inc.

Drawing No.:		Page 1 Of	1
Date:	12/29/2008	Revision	1
Part No.:	GTAG512F		

NOTES:

- 1 THESE ARE THE MAXIMUM DIMENSIONS FOR EACH KIT -THE BRUSHES CAN BE CUT TO FIT EACH APPLICATION -THIS DRAWING WILL PROVIDE MAXIMUM DIMENSIONS.